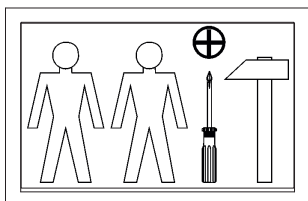
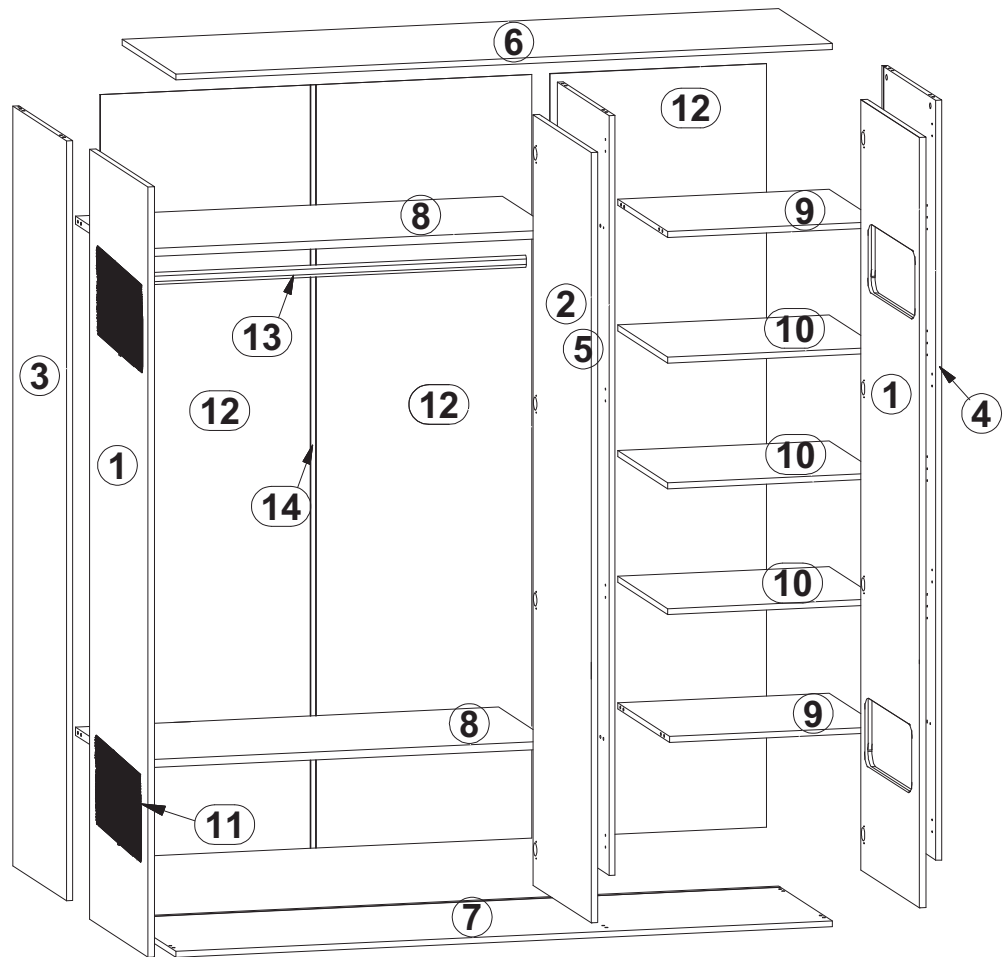
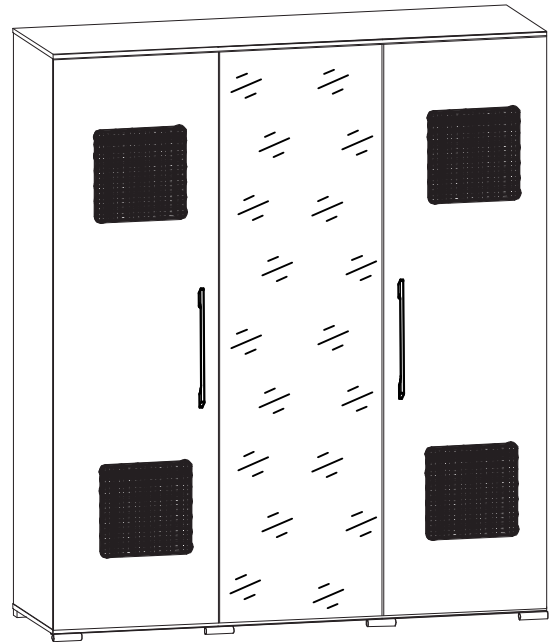
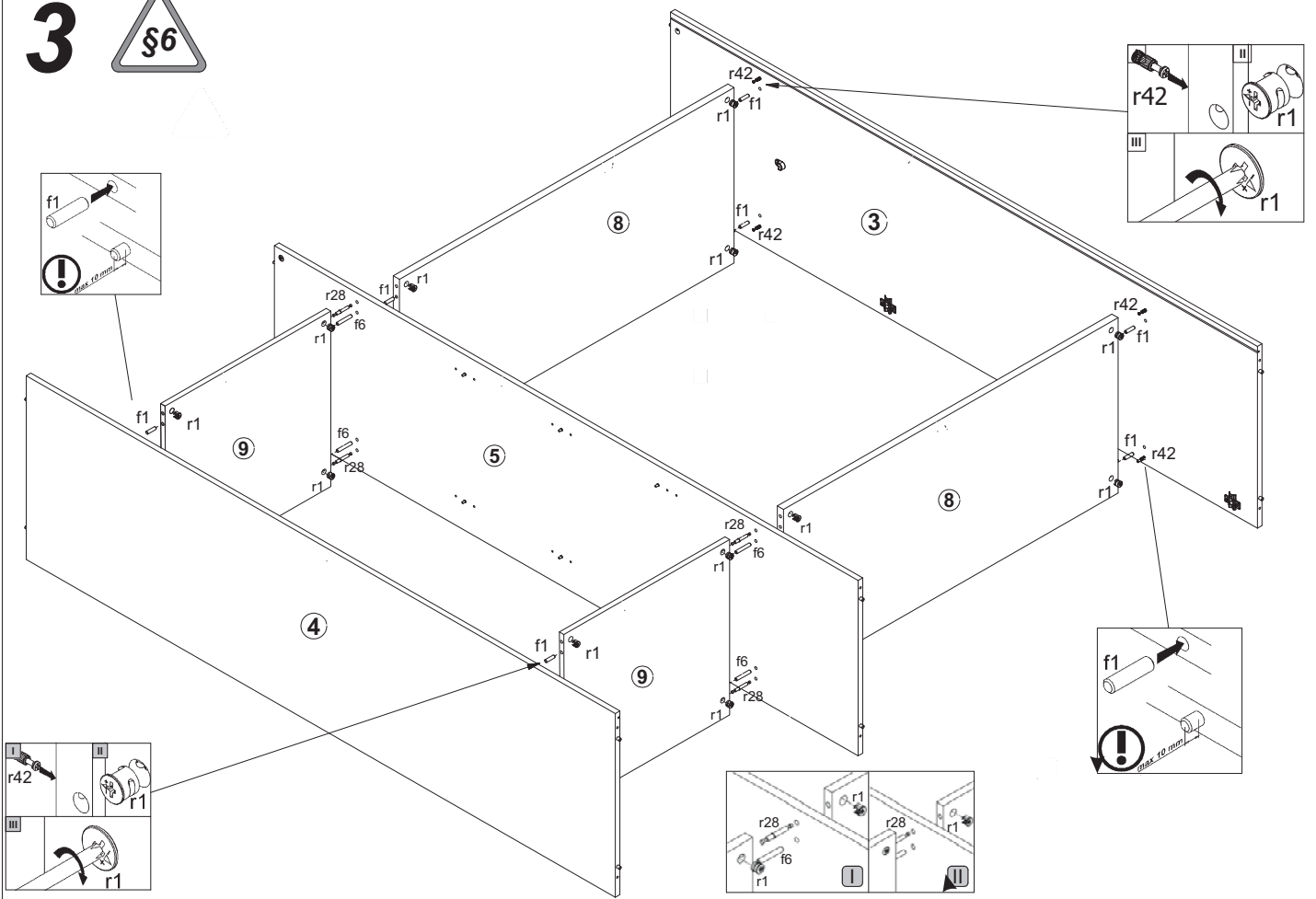


A	B	C	D	
1	N45-004	2037	496	4/5
2	N45-007	2037	496	5/5
3	N45-107	2043	550	1/5
4	N45-108	2043	550	1/5
5	N45-109	2043	530	1/5
6	N45-207	1500	568	2/5
7	N45-208	1500	568	2/5
8	N45-302	971	530	3/5
9	N45-303	480	530	3/5
10	N45-304	480	530	3/5
11	N45-701	300	300	4/5
12	N45-906	2053	492	1/5
13	dr-971	964	30	3/5
14	Lh-2035	2035	14	1/5

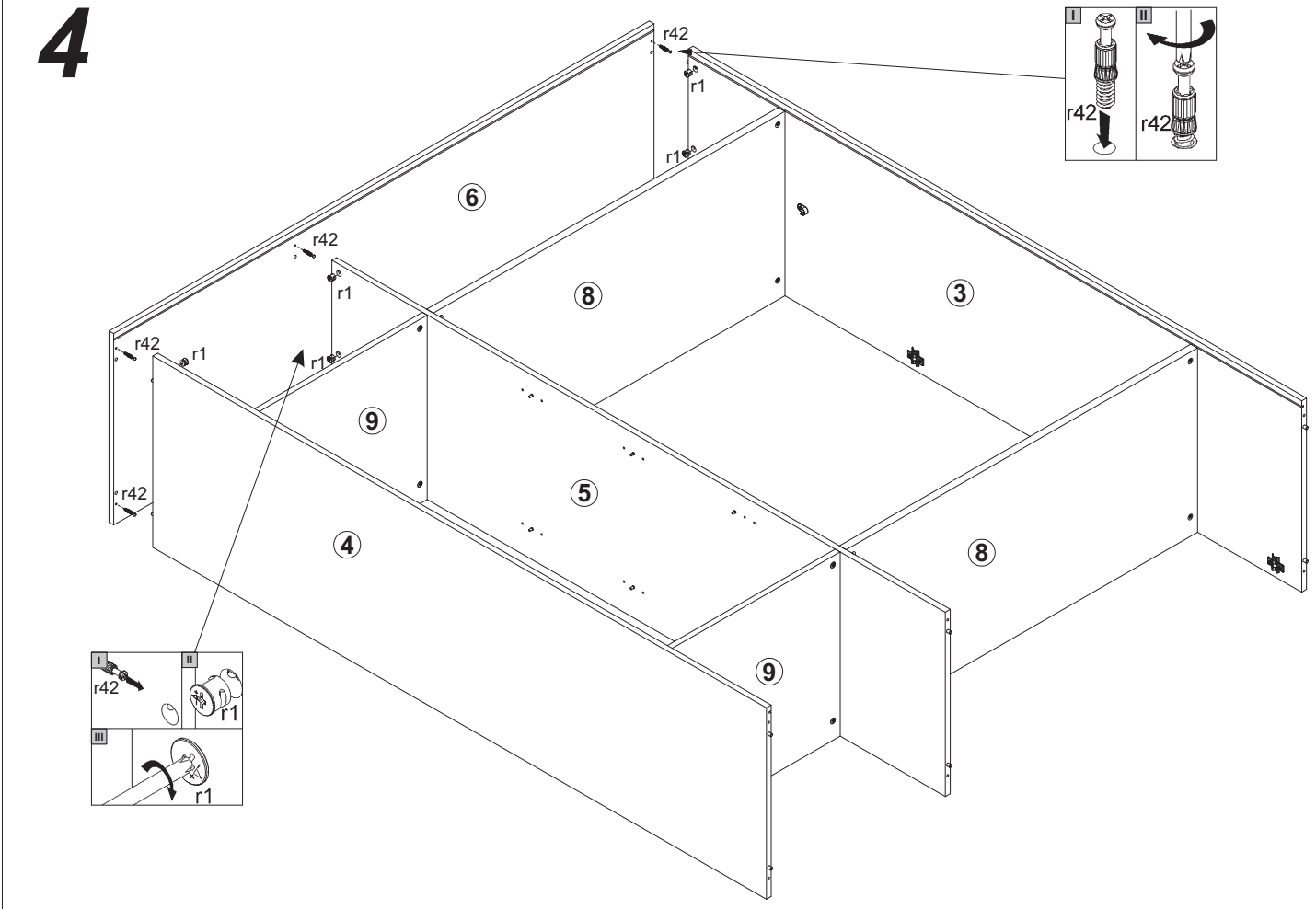


12x a102	8x b59	4x b62	12x d1	6x e1	20x f1	4x f6	4x k84	4x k85
2x p1	8x p6	24x p51	29x p38	13x p55	22x r1	2x c280	4x r28	14x r42
30x l1	26x l2	2x n1	13x n108	14x s2	1x z1	4x j8	1x n2611	1x p17
1x f35								

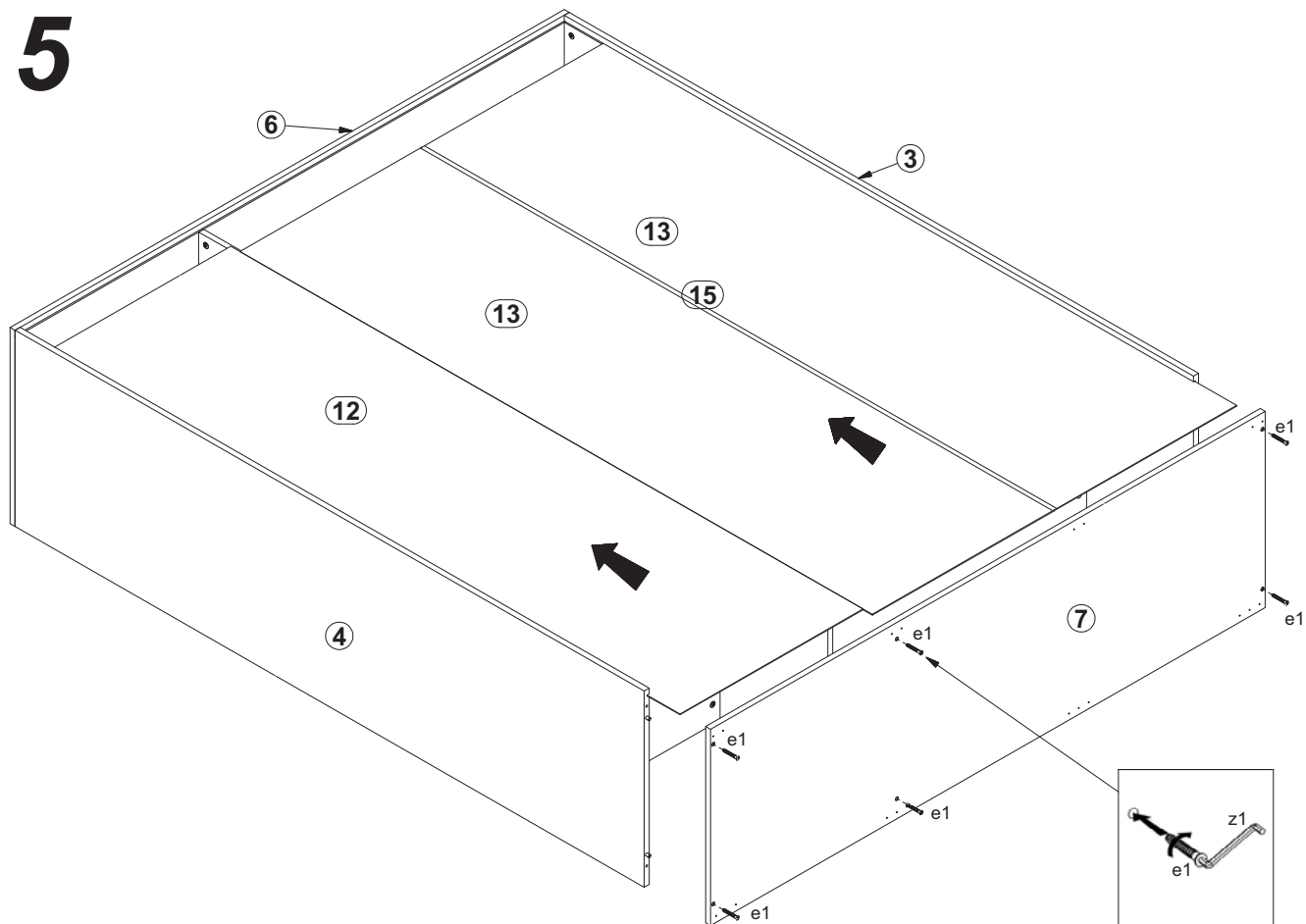
3



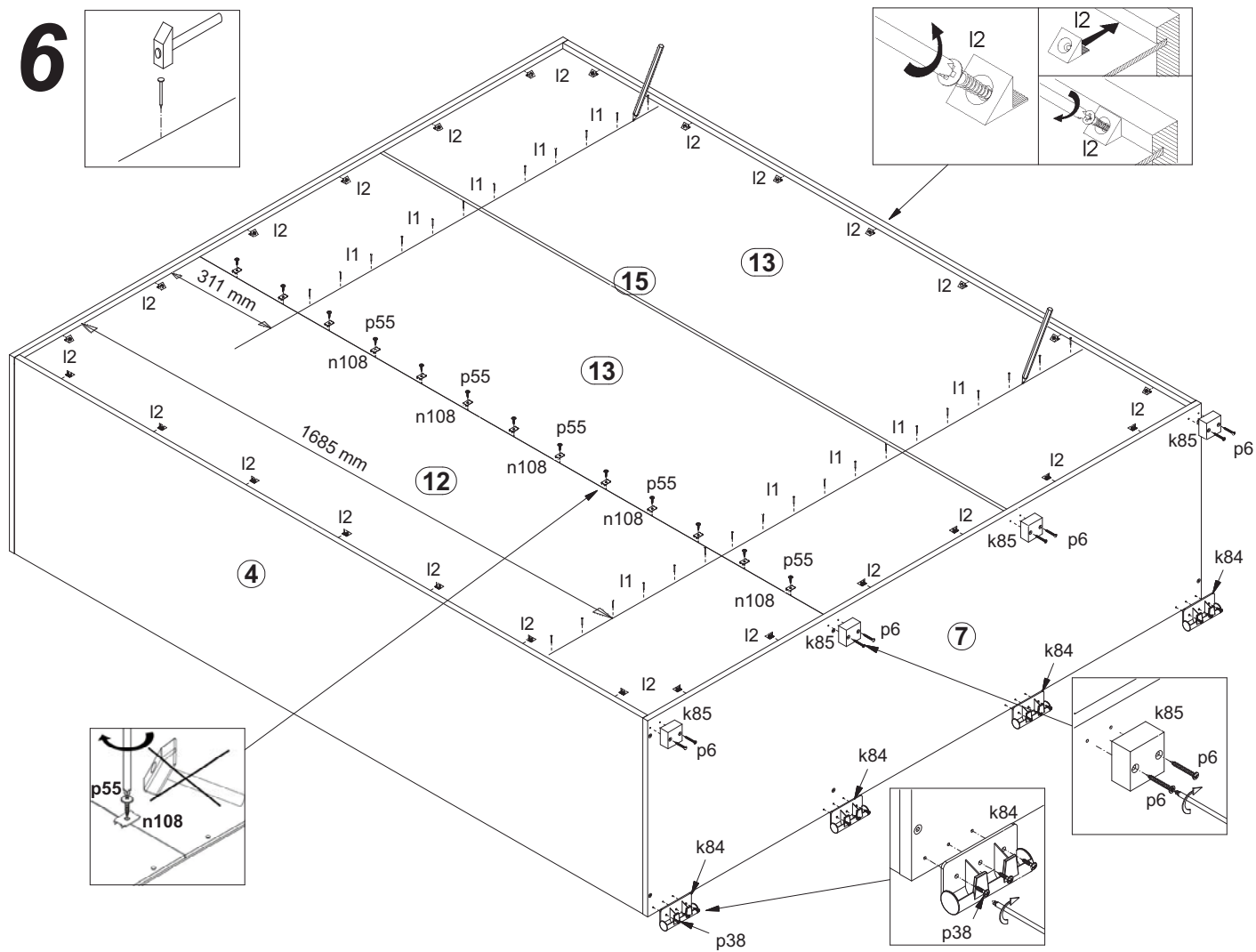
4



5



6



7

